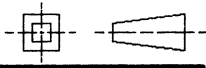
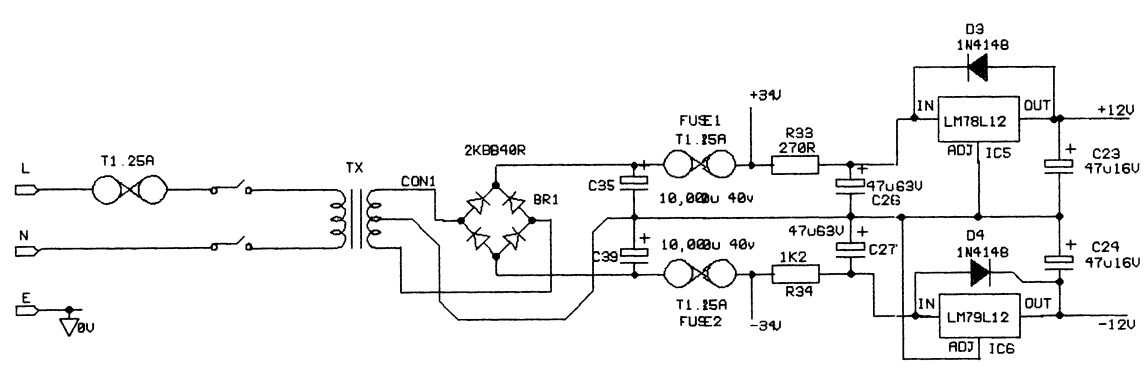
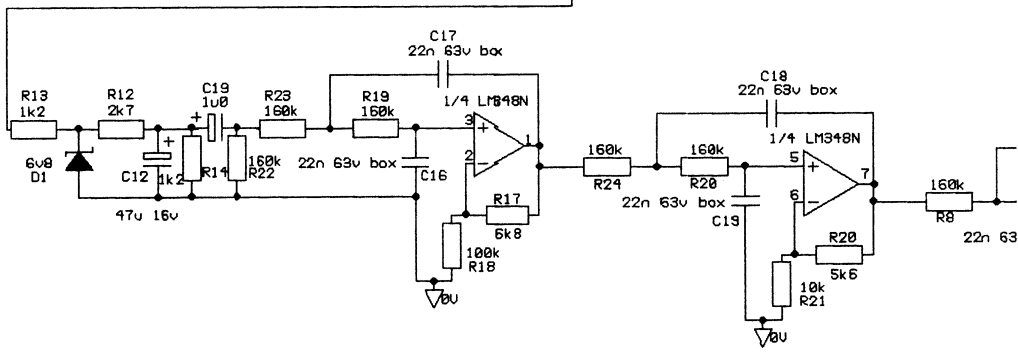
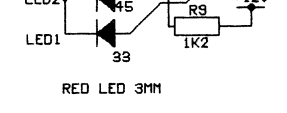
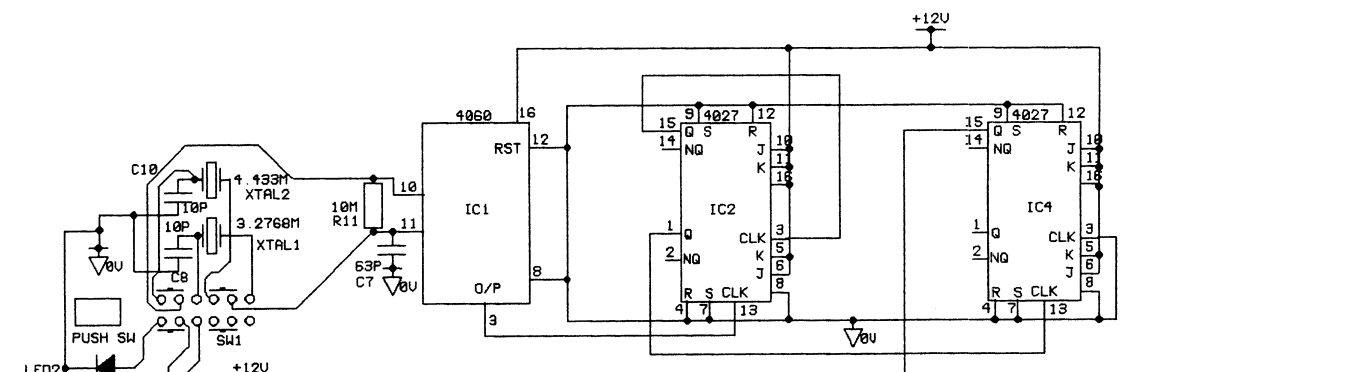


drawing no.

projection

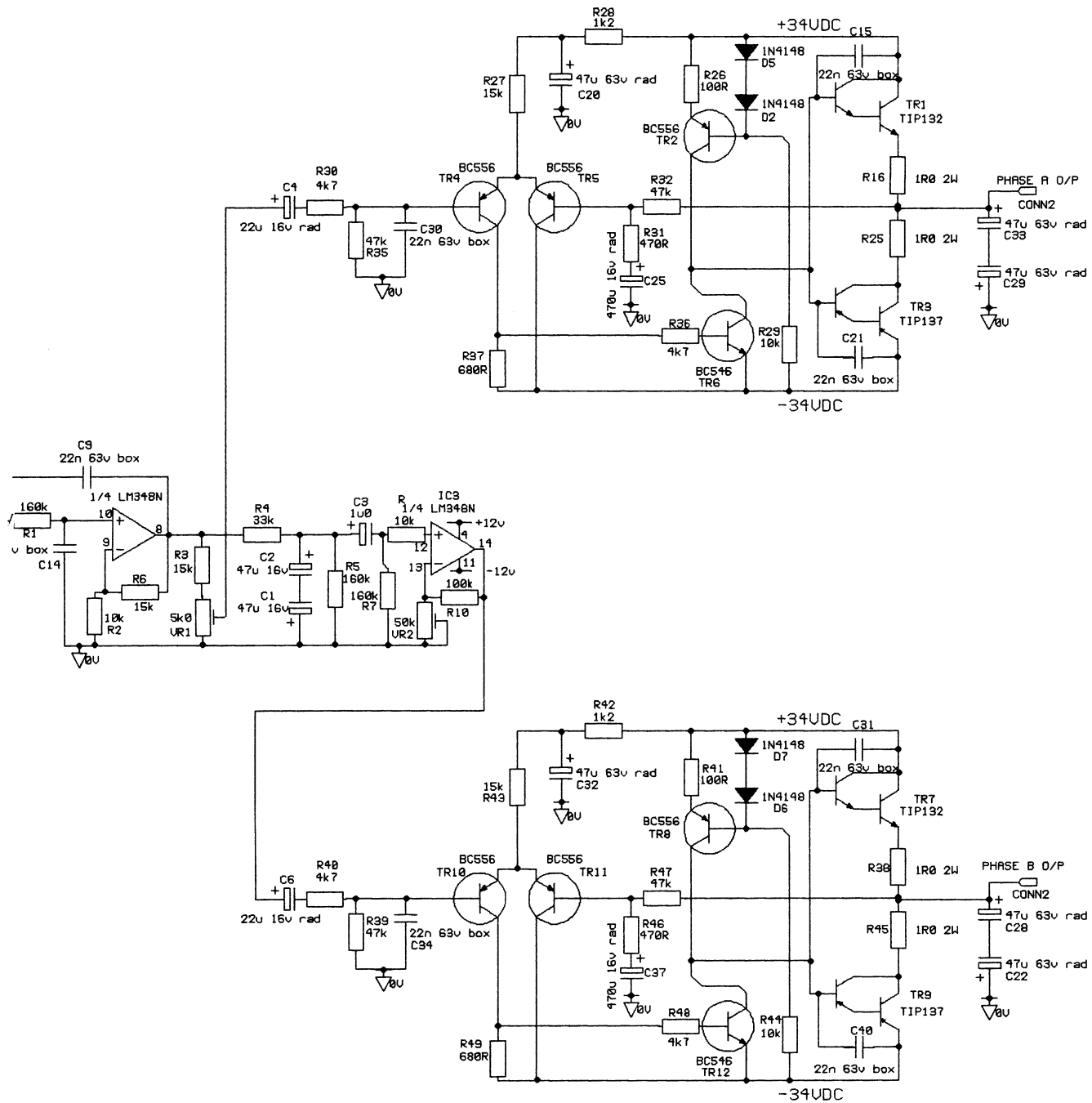


1
2
3
4
5
6
7
8
9
10
11
12
13



issue code-provisional ABC etc/production 123 etc

A B C D E F G H I J



general information do not scale/dimensions in mm tolerances +/- angles +/- general draft unspecified radii geometric tolerances to BS 308 remove all burr and sharp edges	material	drawn	date	checked	scale	
	finish	title				
		drawing no.			sheet	issue
					1 of 1	1
K	L	M	N	O	P	Q
						R
						S