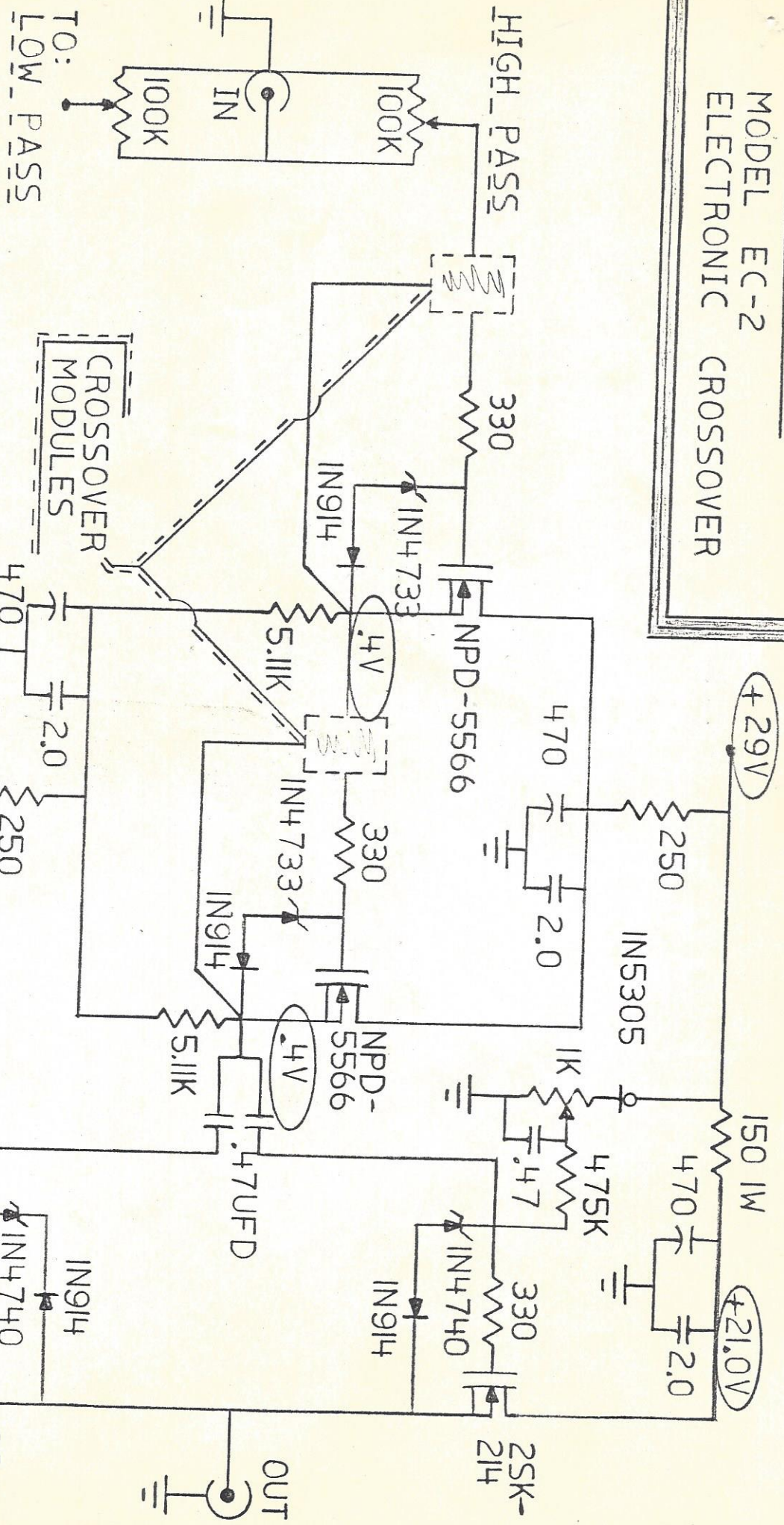


SNELL ACOUSTICS  
 MODEL EC-2  
 ELECTRONIC CROSSOVER



NOTES

1. LEFT INPUT SHOWN; RIGHT IDENTICAL
2. ALL 4 CHANNELS IDENTICAL
3. MODULE DETAIL SHOWN SEPARATE
4. ALL "R" IN OHMS / 1/2 W
5. ALL "C" IN UFD'S / 35V
6. ALL "V" ± 5%

(-29V)

(+29V)

150 1W

(+21.0V)

(-21.0V)

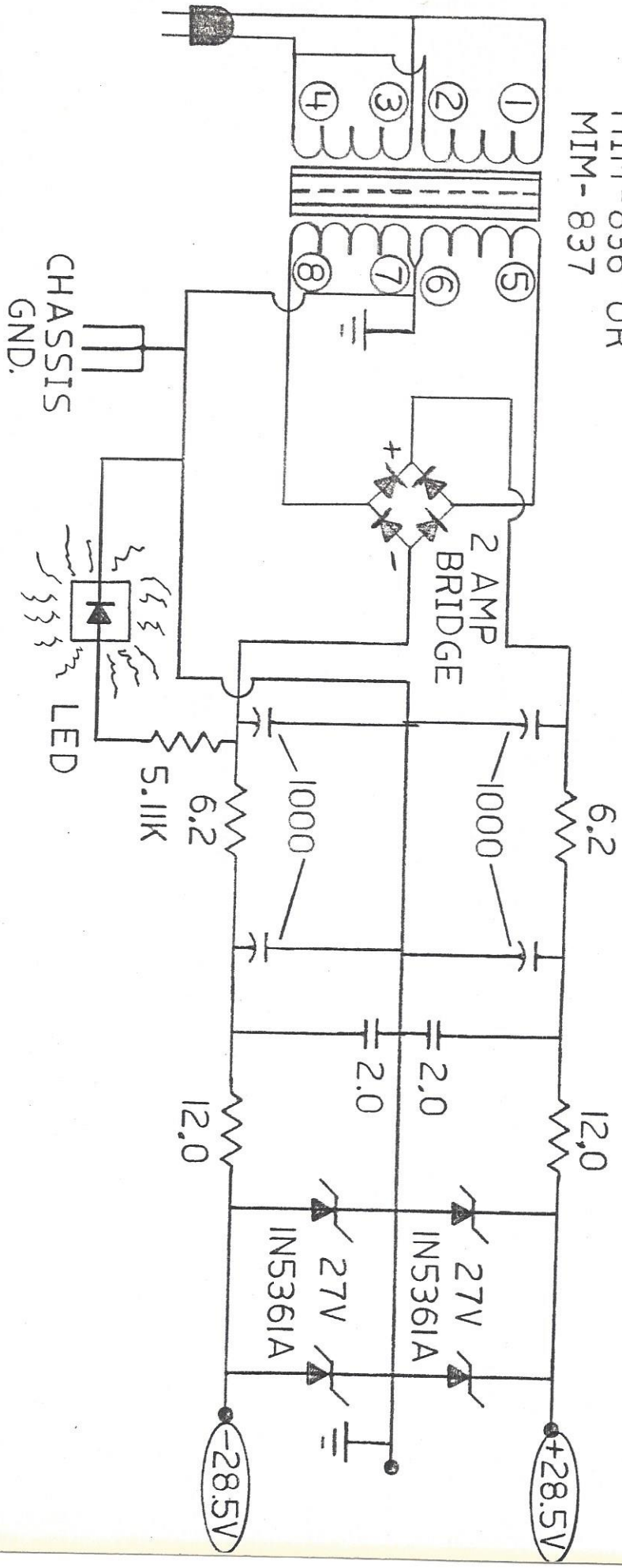
OUT

25K-214

25J-77

SNELL ACOUSTICS  
 MODEL EC-2  
 POWER SUPPLY

THORDARSON  
 MIM-836 OR  
 MIM-837

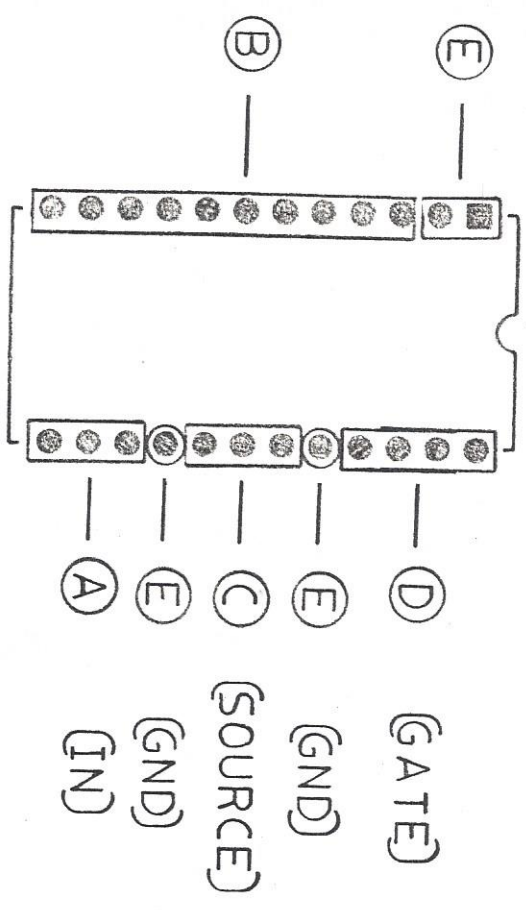
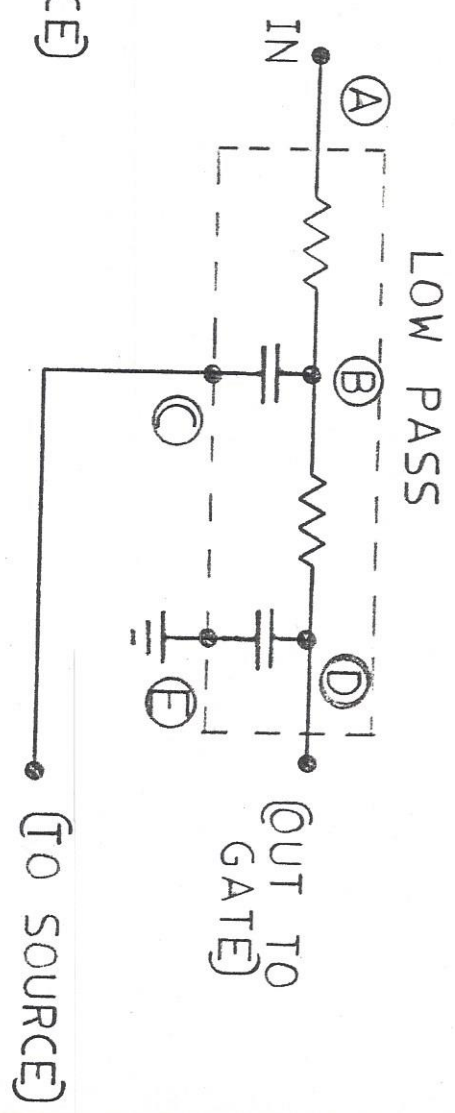
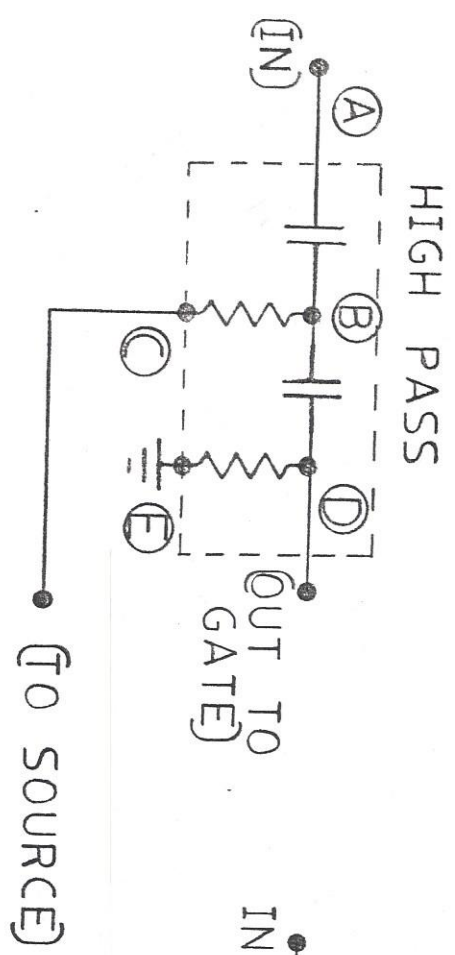


NOTES

1. MIM-836, DOMESTIC ONLY (837 SHOWN)
2. 837 120V OPERATION  
 AC TO 1 & 4  
 CONNECT 3 & 1, 2 & 4
3. 220V OPERATION  
 AC TO 1 & 4  
 CONNECT 2 & 3



SNELL ACOUSTICS  
 MODEL EC-2  
 CROSSOVER MODULES



NOTES

1. SEE CIRCUIT DESCRIPTION FOR COMPONENT VALUES